

Cyclone Mild Steel Buffer Storage

new
Eco Skin
36%
Energy Saving
instead if 21%



New Decisive Advantages

- Everything from one source – Buffer tank and insulation are manufactured by Joule
- Perfect corrosion protection – buffer tank with stoveenamelled powder coating externally
- Stable, form-retaining polystyrene cover
- Perfect fit, therefore no chimney losses
- Insulated connection caps for the connections
- With ECO SKIN 2.0 save up to 3050,- on energy costs, over the life of a 1000 l - storage tank

Large Mild Steel Buffer Storage

Joule mild steel buffer tanks are suitable for all hot water central heating systems, regardless of whether they are powered by solid-fuel or oil-fired boilers, heat pumps, solar energy systems or continuous flow heaters (gas or electric). Several buffer tanks can also be combined in a row (see technical data and accessories), meaning the tank volume can be adjusted individually depending on the requirements. Furthermore, the buffer tanks can also be used for cold water storage in cooling processes (up to 3 bar operating / system pressure) or heat recovery in industrial facilities.

- Nominal capacity of PSF/PSM/PSR/PSRR = 500 to 5000 litres
- Made from quality St 37-2 steel

- 100 mm ECO SKIN fleece insulation (up to 5,000 l)
- Large-surface pipe array on PSR/PSRR models
- 240 mm flange on PSF models for installing a finned tube heat exchanger or built-in heater
- Operating pressure = 3 bar, test pressure 4.5 bar in buffer tank
- Operating pressure max. 10 bar, test pressure 15 bar in pipe array on PSR/PSRR models
- 4 regulating sleeve threads. „Female thread on PSF/PSM and PSR/PSRR models
- 2 x sensor channels for variable positioning of sensor models
- Operating temperature = 95°C (110°C in pipe array)
- External powder coating (colour deviations) up to 2000 litres
- External anti-rust coating (from 3,000 l upwards)

Technical Information

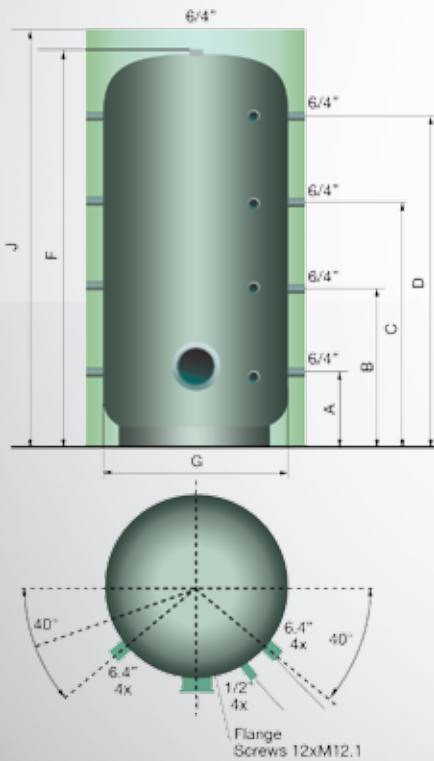


Type	Diagonal Height (mm)	Dimensions (mm)											Pipe array heating surface (mm)		Array content (l)		
		A	B	C	D	F	G	H	I	J	K	L	M	Lower	Upper	Lower	Upper
500	1670	220	620	1010	1390	1640	650	340	495	1725	220	1040	350	1.8	1.2	11	7.5
800	1750	260	630	1030	1430	1700	790	390	585	1785	260	1070	360	2.4	1.8	15	11
825	1900	260	685	1140	1595	1857	790	-	-	1940	-	-	-	-	-	-	-
1000	2090	310	745	1250	1710	2050	790	390	720	2135	310	1160	540	3	2.4	19	15
1250	2100	330	705	1105	1480	1802	1000	-	-	1905	-	-	-	-	-	-	-
1500	2270	380	825	1350	1760	2150	1000	415	800	2235	375	1260	500	3.6	2.4	22	15
2000	2460	320	900	1490	2020	2380	1100	423	800	2465	320	1420	540	4.2	2.8	26	18
3000	2650	375	985	1600	2205	2596	1250	460	720	2681	375	1665	540	4.5	3.0	29	19
4000	2740	405	1022	1639	2255	2669	1400	490	720	2754	405	1715	540	5.0	3.6	32	22
5000	2893	455	1065	1680	2285	2770	1600	540	720	2855	405	1745	540	6.0	4.2	39	26

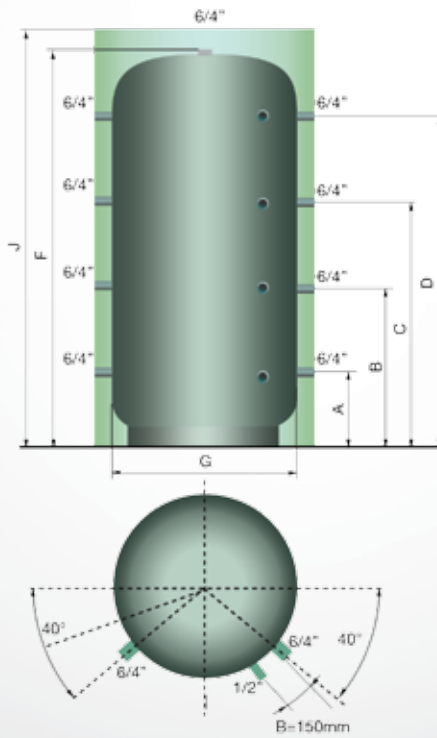
Type	Standby Energy Consumption (kWh/24h)									
	500	800	825	1000	1250	1500	2000	3000	4000	5000
PSF	3.3	4.1	4.2	4.3	5.1	5.4	6.3	7.7	8.7	10.0
PSM	3.0	3.7	3.8	3.9	4.7	5.0	5.9	7.3	8.3	9.6
PSR	3.1	3.9	4.0	4.1	4.9	5.2	6.1	7.5	8.5	9.8
PSRR	3.3	4.0	4.1	4.2	5.0	5.3	6.2	7.6	8.6	9.9

Standby Energy Consumption in kWh/24h according to EN 12897

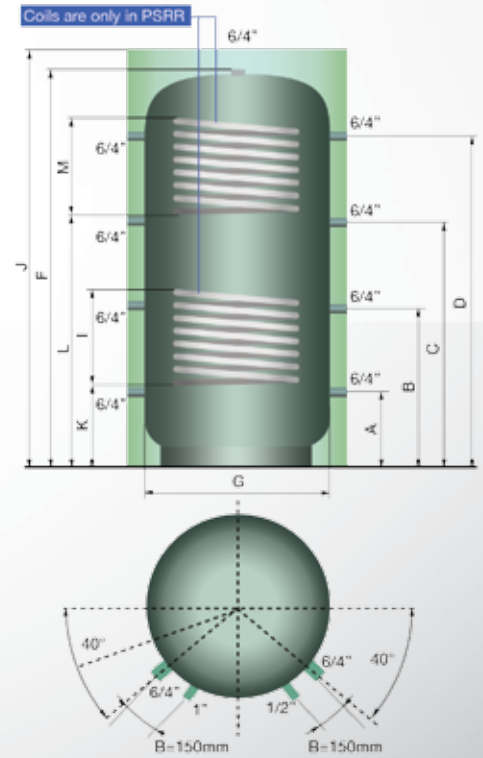
PSF
PSM Buffer Tank with
D240 Flange



PSM
Buffer Tank with
6/4" Cooling Sleeves



PSR / PSRR
Buffer Tank
(PSM with Pipe Array)



0	0	0	0	0	0	0	0	0
Temperature and Pressure Relief Valve	Expansion Vessel	High Flow Rate Inlet Control Set	Dual Thermostat	Incoloy Long 240V 3kW Immersion Heater	15/22 Tundish	22mm Thermostatic Mixing Valve	Expansion Vessel Hose	22 mm 2 Port Motorized Diverting Valve

JOULE UK

T +44 (0) 1513 551 094

F +44 (0) 1513 568 336

E info@jouleuk.co.uk

W www.jouleuk.co.uk